

Stainless Steel-Spring plungers without thread, ball with friction bearing

SPECIFICATION

- Housing
Stainless Steel AISI 303 NI
- Ball
Stainless Steel AISI 420C, hardened
- Spring
Stainless Steel AISI 631
- Friction bearing
- Plastic
- temperature resistant up to 90 °C

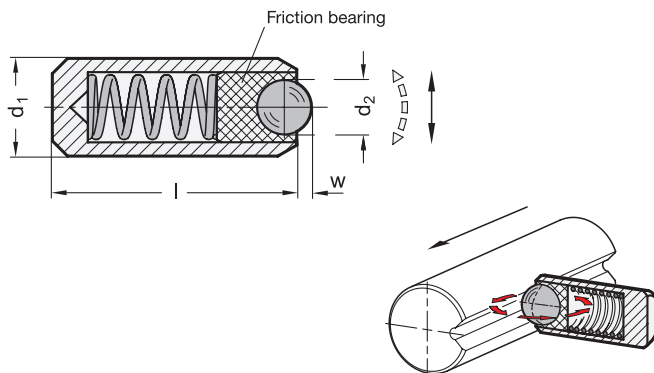


INFORMATION

GN 614.8 Stainless Steel-Spring plungers are used for locking as well as for pressure and hold-off functions. The ball is mounted in a plastic shell so as to be freely movable, which enables rolling and therefor generally optimizes the locking characteristics. Above all, this reduces wear on the counter piece. A further characteristic of these plungers is that the plastic bearing acts as an electrical insulator. For the mounting hole, tolerance d₁ F8 is recommended for joined fitting and d₁ H9 for press fitting.

TECHNICAL INFORMATION

- ISO-Fundamental Tolerances (see page A21)
- Stainless Steel characteristics (see page A26)



GN 614.8

STAINLESS STEEL

Description	d ₁ ±0.04	d ₂	l	w	Spring load in N ≈ initial	Spring load in N ≈ end	⚖
GN 614.8-4-NI	4	2	11	0.5	4.8	6.8	1
GN 614.8-5-NI	5	2.5	13	0.7	6.3	10	2
GN 614.8-6-NI	6	3.5	15	0.95	16	24	3
GN 614.8-8-NI	8	4.5	18	1.5	18.8	31.7	5
GN 614.8-10-NI	10	6.5	20	2.3	26	49	7
GN 614.8-12-NI	12	8.5	22	3.1	38	68	11